

# Tango HID

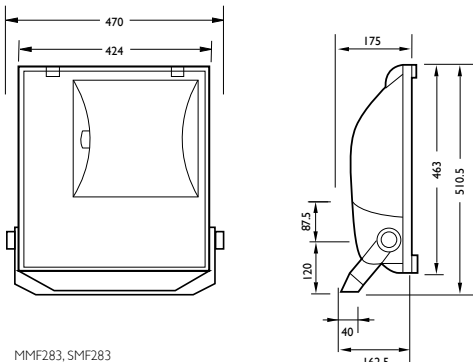
Compact, sturdy floodlight complete with integral gear, particularly suited for surface lighting using metal halide or high-pressure sodium lamps. All-weather construction designed for simple cleaning and speedy servicing.



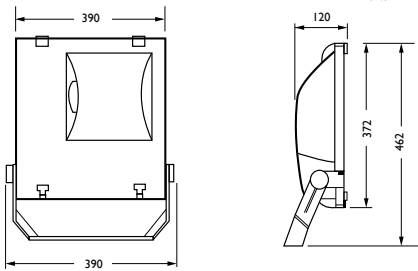
## Features and Benefits

- High-grade symmetrical or asymmetrical reflector projects a highly efficient light beam
- Wall, ceiling and surface mountings with wide range of adjustments for both down and up lighting
- Quick, easy access to lamp and gear, without affecting beam adjustment, through hinged front window with quick-release clips
- Housing dustproof and jetproof; no internal cleaning required

MMF383, SMF383



MMF283, SMF283



Product ID	L (mm)	W (mm)	H (mm)
MMF383, SMF383	470	175	510.5
MMF283, SMF283	390	120	462

Dimensions in mm (Nominal)

Tango HID continued

TANGO HID			
Family Name	Tango HID	Control Gear	Conventional
Model	Tango 2 (SMF283, MMF283), Tango 3 (SMF383, MMF383)	Installation	Universal Bracket
Lamp Types	MHN-TD, HPI-T, SON-T	IP rating	IP65
Wattages	70W, 150W, 250W, 400W	Weight	Tango 2 (7.6-9kg) Tango 3 (12.5 -14kg)
Lamp Colour	MHN-TD (4200K), HPI-T (4500K), SON-T (2000K)	Colour of housing	Black
Colour Rendering Index (CRI)	MHN-TD (80) , HPI-T (65) , SON-T (25)	Application	Area Lighting / Billboard / Façade / Industrial Areas / Other General
Flex and Plug	No	Accessories	N/A
Optics	Symmetrical, Asymmetrical		

COMMERCIAL CODE	I2NC	DESCRIPTION
MMF283MH70TDKS	91040333201	MMF283 MHN-TD70W Tango S K 240v 50hz
MMF283MHI50TDKS	91040333101	MMF283 MHN-TD150W Tango S K 240v 50hz
MMF383HPI250TKS	910403334201	MMF383 HPI-T250W Tango S K 240v 50hz
MMF383HPI400TKS	910403334401	MMF383 HPI-T400W Tango S K 240v 50hz
MMF383HPI400TKA	910403334501	MMF383 HPI-T400W Tango A K 240v 50hz
SMF283SON70TKS	910403336601	SMF283 SON-T70W Tango S K 240v 50hz
SMF383SON250TKS	910403333801	SMF383 SON-T250W Tango S K 240v 50hz
SMF383SON400TKS	910403334001	SMF383 SON-T400W Tango S K 240v 50hz
SMF383SON400TKA	910403334101	SMF383 SON-T400W Tango A K 240x 50hz